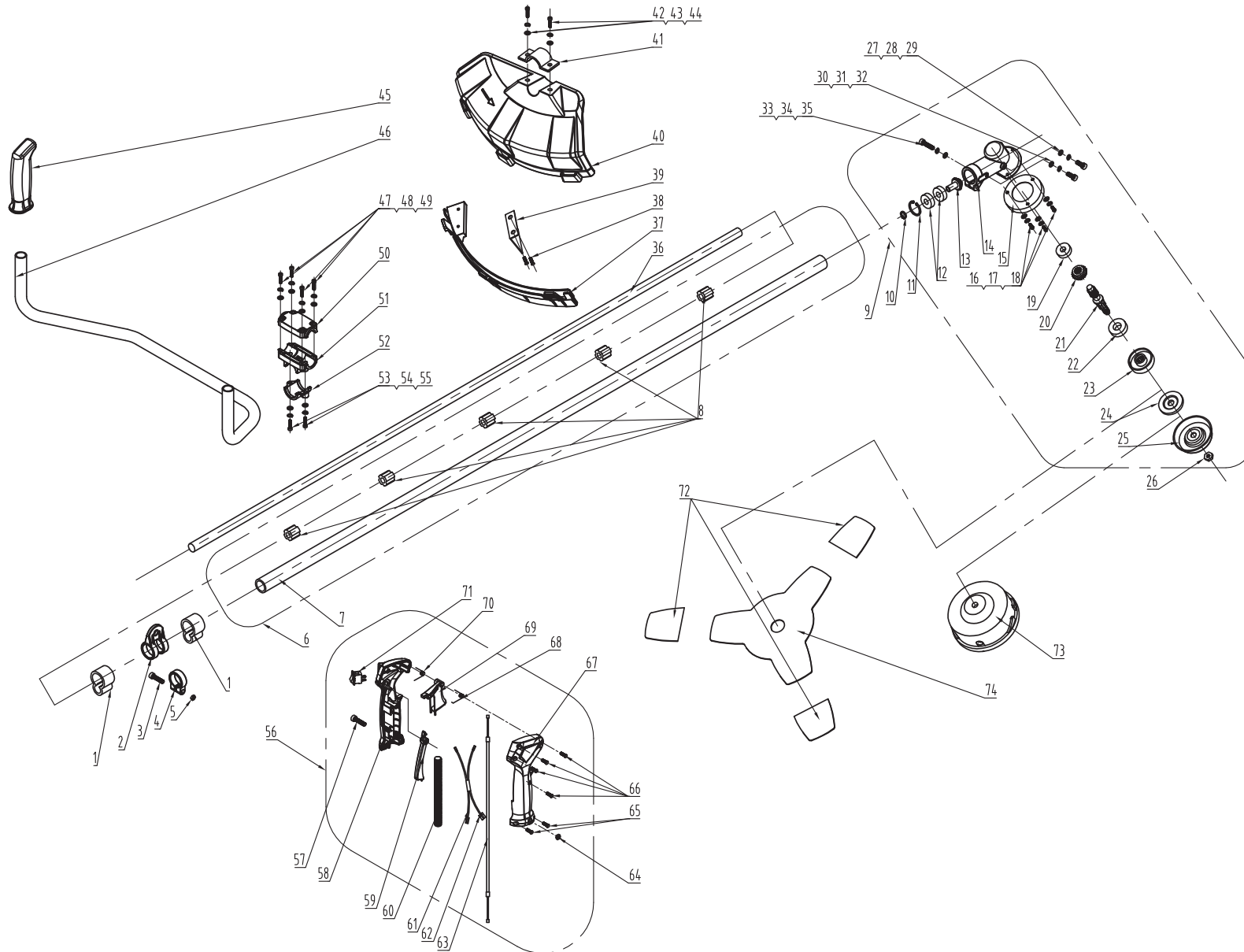


Number	Name
1	screw M5×20
2	lock washer 5
3	plate washer 5
4	start grip
5	eyelet
6	start assembly
7	start housing
8	start rope
9	coil spring
10	start pulley
11	spring. Start
12	ratchet wheel
13	ST screw 4.8×13
14	starter gasket
15	start reel
16	plate washer 8
17	OIL-SEAL 12×22×7
18	crank case RH side
19	gasket \ Crank case
20	ball bearing 6202
21	crank shaft ass'y
22	key 3×5×13
23	bearing Φ10×13×16
24	circlip \ Piston ring
25	piston pin
26	piston
27	piston ring
28	gasket \ Cylinder
29	cylinder
30	screw M5x20 \ Cylinder
31	lock washer 5
32	plate washer 5
33	Spark Plug
34	plastic plate
35	top housing

Number	Name
36	wire
37	Spark Plug cover
38	screw M5×25/ Ignition
39	lock washer 5
40	plate washer 5
41	ignition
42	pin Φ5×10
43	crank case LH side
44	screw M5x30
45	lock washer 5
46	plate washer 5
47	OIL-SEAL 15×30×7
48	magneto rotor
49	flange nut M8
50	plate washer 8×16×1.5
51	clutch assemble
52	washer 10
53	bolt \ clutch
54	pin Φ5×10
55	fan cover
56	screw M5×25
57	lock washer 5
58	plate washer 5
59	clutch drum
60	circlip 35
61	ball bearing 6202-2z
62	circlip 15
63	clutch drum housing
64	screw M6×20
65	lock washer 6
66	plate washer 6
67	rubber/ bump
68	clamp RH

Number	Name
69	clamp LH
70	screw M5×25
71	lock washer 5
72	plate washer 5
73	screw M5×12
74	lock washer 5
75	plate washer 5
76	screw M6×55 . Muffler
77	lock washer 6
78	plate washer 6
79	screw M5×12 . Muffler
80	lock washer 5
81	plate washer 5
82	muffler
83	gasket . Muffler
84	screw M5×12
85	lock washer 5
86	plate washer 5
87	screw M4×12
88	lock washer 4
89	plate washer 4
90	gasket
91	admitting pipe
92	ST screw 3.5×13
93	stamping
94	screw M5×25
95	lock washer 5
96	plate washer 5
97	gasket . carburetor
98	carburetor
99	air box cover
100	sponge
101	screw M5×55

Number	Name
102	lock washer 5
103	plate washer 5
104	air box base
105	air box assembly
106	fuel tank cover
107	rubber
108	Anti-drop plate
109	fuel tank
110	rubber bump
111	fuel tank housing
112	screw M5x25 fuel tank
113	lock washer 5
114	plate washer 5
115	Balancer
116	air tube
117	fuel tube
118	fuel tube
119	retainer . fuel tube
120	filter fuel



Number	Name
1	wire hold
2	harness clamp assembly
3	screw M5x16
4	clamp
5	nut M5
6	straight shaft assembly
8	rubber
9	gear box assembly
10	circlip 10
11	circlip 26
12	ball bearing 6000-2z
13	pinion
14	gear box
15	top guard
16	screw M5x8
17	lock washer 5
18	plate washer 5
19	bearing 6000-2z 10x26x8
20	gear
21	gear shaft
22	ball bearing 6002-2z
23	blade retainer
24	cap washer
25	bottom guard
26	flange nut M10x1.25 left
27	screw M6x12
28	lock washer 6
29	plate washer 6
30	screw M6x12
31	lock washer 6
32	plate washer 6
33	screw M6x25
34	lock washer 6
35	plate washer 6
36	driver shaft

Number	Name
37	Protective guard edging
38	ST screw 4.8x13
39	cutting blade
40	protective guard
41	clamp \ guard
42	screw M6x20
43	lock washer 6
44	plate washer 6
45	rubber handle
46	AL tubing
47	screw M5x25
48	lock washer 5
49	plate washer 5
50	upper clamp
51	middle clamp
52	lower clamp
53	screw M5x25
54	lock washer 5
55	plate washer 5
56	control handle assembly
57	screw M5x28
58	plastic handle \ LH
59	lock trigger
60	wire tube
61	wire cable A
62	wire cable B
63	throttle cable assembly
64	nut M5
65	ST screw 3.5x9.5
66	ST screw 4.2x10
67	plastic handle \ RH
68	spring \ trigger
69	trigger
70	spring \ trigger

Number	Name
71	switch
72	blade cover
73	string head assembly
74	blade