

Ronix®

Premium Quality

CORDLESS DRILL

8613i



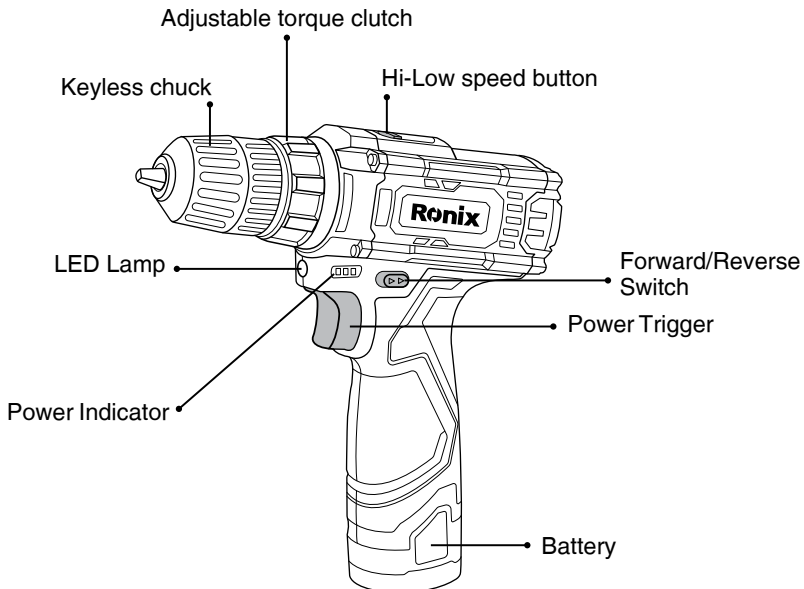
www.ronix.ir



TECHNICAL SPECIFICATIONS

Model	8613i
Battery Chemistry	Lithium-Ion
Chuck Type	Keyless
Chuck Size	10mm
Battery Voltage	DC 12V
Battery Capacity	1.5Ah
No-load Speed	0-400RPM 0-1500RPM
Max Torque	26N.m
Max Capacity in Wood	20mm
Max Capacity in Metal	10mm
Weight	1Kg
Supplied in	BMC
Includes	2Pcs 1.5Ah/12V, 1fast charger(1A)

PART LIST



GENERAL POWER TOOL SAFETY RULES

WARNING!

- Read all safety warnings and all instructions. Failure to follow the warnings and instructions may result in electric shock, fire and/or serious injury.
- Save all warnings and instructions for future reference.
- The term «power tool» in the warnings refers to your mains operated (corded) power tool or battery operated (cordless) power tool.

■ **WORK AREA SAFETY**

- Keep work area clean and well lit. Cluttered or dark areas invite accidents.
- Do not operate power tools in explosive atmospheres, such as in the presence of flammable liquids, gases or dust. Power tools create sparks which may ignite the dust or fumes.
- Keep children and bystanders away while operating a power tool. Distractions can cause you to lose control.

■ **ELECTRICAL SAFETY**

- Power tool plugs must match the outlet. Never modify the plug in any way. Do not use any adapter plugs with earthed (grounded) power tools. Unmodified plugs and matching outlets will reduce risk of electric shock.
- Avoid body contact with earthed or grounded surfaces such as pipes, radiators, ranges and refrigerators. There is an increased risk of electric shock if your body is earthed or grounded.
- Do not expose power tools to rain or wet conditions. Water entering a power tool will increase the risk of electric shock.
- Do not abuse the cord. Never use the cord for carrying, pulling or unplugging the power tool. Keep cord away from heat, oil, sharp edges or moving parts. Damaged or entangled cords increase the risk of electric shock.
- When operating a power tool outdoors, use an extension cord suitable

for outdoor use. Use of a cord suitable for outdoor use reduces the risk of electric shock.

- If operating a power tool in a damp location is unavoidable, use a ground fault circuit interrupter (GFCI) protected supply. Use of a GFCI reduces the risk of electric shock.

■ PERSONAL SAFETY

- Stay alert, watch what you are doing and use common sense when operating a power tool. Do not use a power tool while you are tired or under the influence of drugs, alcohol or medication. A moment of inattention while operating power tools may result in serious personal injury.

- Use personal protective equipment. Always wear eye protection. Protective equipment such as dust mask, non-skid safety shoes, hard hat, or hearing protection used for appropriate conditions will reduce personal injuries.

- Prevent unintentional starting. Ensure the switch is in the off-position before connecting to power source and/or battery pack, picking up or carrying the tool. Carrying power tools with your finger on the switch or energizing power tools that have the switch on invites accidents.

- Remove any adjusting key or wrench before turning the power tool on. A wrench or a key left attached to a rotating part of the power tool may result in personal injury.

- Do not overreach. Keep proper footing and balance at all times. This enables better control of the power tool in unexpected situations.

- Dress properly. Do not wear loose clothing or jewelry. Keep your hair, clothing, and gloves away from moving parts. Loose clothes, jewelry or long hair can be caught in moving parts.

- If devices are provided for the connection of dust extraction and collection facilities, ensure these are connected and properly used. Use of dust collection can reduce dust-related hazards.

■ POWER TOOL USE AND CARE

- Do not force the power tool. Use the correct power tool for your application. The correct power tool will do the job better and safer at the rate for which it was designed.
- Do not use the power tool if the switch does not turn it on and off. Any power tool that cannot be controlled with the switch is dangerous and must be repaired.
- Disconnect the plug from the power source and/or the battery pack from the power tool before making any adjustments, changing accessories, or storing power tools. Such preventive safety measures reduce the risk of starting the power tool accidentally.
- Store idle power tools out of the reach of children and do not allow persons unfamiliar with the power tool or these instructions to operate the power tool. Power tools are dangerous in the hands of untrained users.
- Maintain power tools. Check for misalignment or binding of moving parts, breakage of parts and any other condition that may affect the power tool's operation. If damaged, have the power tool repaired before use. Many accidents are caused by poorly maintained power tools.
- Keep cutting tools sharp and clean. Properly maintained cutting tools with sharp cutting edges are less likely to bind and are easier to control.
- Use the power tool, accessories and tool bits etc. in accordance with these instructions, considering the working conditions and the work to be performed. Use of the power tool for operations different from those intended could result in a hazardous situation.

■ BATTERY TOOL USE AND CARE

- Recharge only with the charger specified by the manufacturer. A charger that is suitable for one type of battery pack may create a risk of fire when used with another battery pack.
- Use power tools only with specifically designated battery packs. Use of any other battery packs may create a risk of injury and fire.
- When battery pack is not in use, keep it away from other metal objects, like paper clips, coins, keys, nails, screws or other small metal objects

that can make a connection from one terminal to another. Shorting the battery terminals together may cause burns or a fire.

- Under abusive conditions, liquid may be ejected from the battery; avoid contact. If contact accidentally occurs, flush with water. If liquid contacts eyes, additionally seek medical help. Liquid ejected from the battery may cause irritation or burns.

■ SERVICE

- Have your power tool serviced by a qualified repair person using only identical replacement parts. This will ensure that the safety of the power tool is maintained.

- Follow instruction for lubricating and changing accessories.

- Keep handles dry, clean and free from oil and grease.

CORDLESS DRILL/SCREW DRIVER SAFETY

WARNING!

- Hold power tool by insulated gripping surfaces, when performing an operation where the fastener may contact hidden wiring or its own cord. Fasteners contacting a «live» wire may make exposed metal parts of the power tool live and could give the operator an electric shock.

- Always be sure you have a firm footing. Be sure no one is below when using the tool in high locations.

- Hold the tool firmly.

- Keep hands away from rotating parts.

- Do not leave the tool running. Operate the tool only when hand-held.

- Do not touch the drill bit or the work piece immediately after operation; they may be extremely hot and could burn your skin.

- Some material contains chemicals which may be toxic. Take caution to prevent dust inhalation and skin contact. Follow material supplier safety data.

⚠ WARNING!

Do not let comfort or familiarity with product (gained from repeated use) replace strict adherence to safety rules for the subject product. Misuse or failure to follow the safety rules stated in this instruction manual may cause serious personal injury.

IMPORTANT SAFETY INSTRUCTIONS FOR BATTERY CARTRIDGE

- Before using battery cartridge, read all instructions and cautionary markings on (1) battery charger, (2) battery, and (3) product using battery.
- Do not disassemble battery cartridge.
- If operating time has become excessively shorter, stop operating immediately. It may result in a risk of overheating, possible burns and even an explosion.
- If electrolyte gets into your eyes, rinse them out with clear water and seek medical attention right away. It may result in loss of your eyesight.

■ DO NOT SHORT THE BATTERY CARTRIDGE

- 1- Do not touch the terminals with any conductive material.
 - 2- Avoid storing battery cartridge in a container with other metal objects such as nails, coins, etc.
 - 3- Do not expose battery cartridge to water or rain. A battery short can cause a large current flow, overheating, possible burns and even a breakdown.
- Do not store the tool and battery cartridge in locations where the temperature may reach or exceed 500 C (1220 F).
 - Do not incinerate the battery cartridge even if it is severely damaged or is completely worn out. The battery cartridge can explode in a fire.
 - Be careful not to drop or strike battery.
 - Do not use a damaged battery.

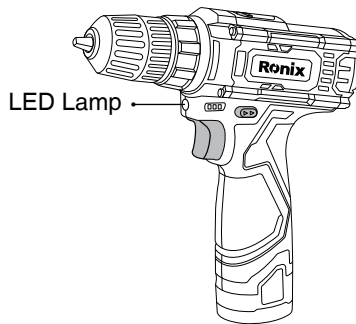
TIPS FOR MAINTAINING MAXIMUM BATTERY LIFE

- Charge the battery cartridge before completely discharged. Always stop tool operation and charge the battery cartridge when you notice less tool power.
- Never recharge a fully charged battery cartridge. Overcharging shortens the battery service life.
- Charge the battery cartridge with room temperature at 10C - 40C (500F - 1040F). Let a hot battery cartridge cool down before charging it.

LIGHTING UP THE FRONT LAMP

⚠ CAUTION:

Do not look in the light or see the source of light directly. Pull the switch trigger to light up the lamp. The lamp keeps on lighting while the switch trigger is being pulled.



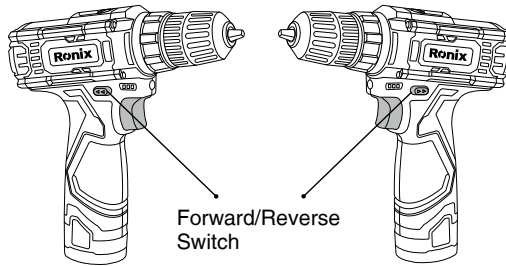
⚠ NOTE:

Use a dry cloth to wipe the dirt off the lens of lamp. Be careful not to scratch the lens of lamp, or it may lower the illumination.

■ REVERSING SWITCH ACTION

This tool has a reversing switch to change the direction of rotation. Depress the reversing switch lever from the A side for clockwise rotation or from the B side for counterclockwise rotation. When the reversing

switch lever is in the neutral position, the switch trigger cannot be pulled.



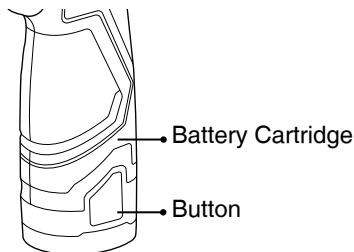
FUNCTIONAL DESCRIPTION

CAUTION:

Always be sure that the tool is switched off and the battery cartridge is removed before adjusting or checking function on the tool.

INSTALLING OR REMOVING BATTERY CARTRIDGE

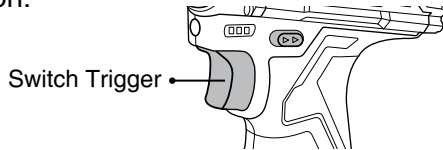
- To remove the battery cartridge, withdraw it from the tool while sliding the button on both sides of the cartridge.
- To insert the battery cartridge, align the tongue on the battery cartridge with the groove in the housing and slip it into place. Always insert it all the way until it locks in place with a little click.
- Do not use force when inserting the battery cartridge. If the cartridge does not slide in easily, it is not being inserted correctly.



SWITCH ACTION

⚠ CAUTION:

- Before inserting the battery cartridge into the tool, always check to see that the switch trigger actuates properly and returns to the «OFF» position when released.
- Always check the direction of rotation before operation.
- Use the reversing switch only after the tool comes to a complete stop. Changing the direction of rotation before the tool stops may damage the tool.
- When not operating the tool, always set the reversing switch lever to the neutral position.

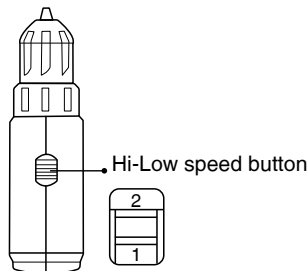


SPEED CHANGE

To change the speed, first switch off the tool and then slide the speed change lever to the «2» side for high speed or «1» side for low speed. Be sure that the speed change lever is set to the correct position before operation. Use the right speed for your job.

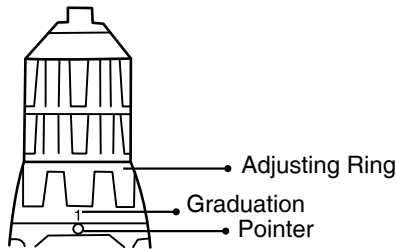
⚠ CAUTION:

- Always set the speed change lever fully to the correct position. If you operate the tool with the speed change lever positioned halfway between the «1» side and «2» side, the tool may be damaged.
- Do not use the speed change lever while the tool is running. The tool may be damaged.



ADJUSTING THE FASTENING TORQUE

The fastening torque can be adjusted in 18 steps by turning the adjusting ring so that its graduations are aligned with the pointer on the tool body. The fastening torque is minimum when the number 1 is aligned with the pointer and maximum when the marking is aligned with the pointer. Before actual operation, drive a trial screw into your material or a piece of duplicate material to determine which torque level is required for a particular application.



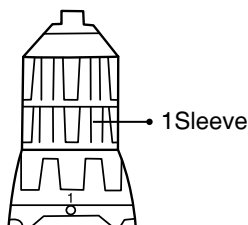
ASSEMBLY

CAUTION:

Always be sure that the tool is switched off and the battery cartridge is removed before carrying out any work on the tool.

INSTALLING OR REMOVING DRIVER BIT OR DRILL BIT

Turn the sleeve counter clockwise to open the chuck jaws. Place the bit in the chuck as far as it will go. Turn the sleeve clockwise to tighten the chuck. To remove the bit, turn the sleeve counterclockwise.



⚠ NOTE:

When driving wood screws, pre-drill pilot holes to make driving easier and to prevent splitting of the work piece. See the chart.

Nominal diameter of wood screw(mm)	Recommended size of Pilot Hole(mm)
3.1	2.0~2.2
3.5	2.2~2.5
3.8	2.5~2.8
4.5	2.9~3.2
4.8	3.1~3.4
5.1	3.3~3.6
5.5	3.7~3.9
5.8	4.0~4.2
6.1	4.2~4.4

OPERATION

⚠ CAUTION:

Always insert the battery cartridge all the way until it locks in place. If not, it may accidentally fall out of the tool, causing injury to you or someone around you. Hold the tool firmly with one hand on the grip and the other hand on the bottom of the battery cartridge to control the twisting action.

■ DRILLING OPERATION

First, turn the adjusting ring so that the pointer points to the marking. Then proceed as follows.

When drilling in wood, the best results are obtained with wood drills equipped with a guide screw. The guide screw makes drilling easier by pulling the bit into the work piece. To prevent the bit from slipping when starting a hole, make an indentation with a center-punch and hammer at the point to be drilled. Place the point of the bit in the indentation and start drilling. Use a cutting lubricant when drilling metals. The exceptions

are iron and brass which should be drilled dry.

⚠ CAUTION:

Pressing excessively on the tool will not speed up the drilling. In fact, this excessive pressure will only serve to damage the tip of your bit, decrease the tool performance and shorten the service life of the tool.

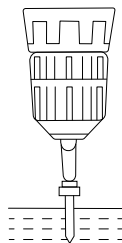
SCREW DRIVING OPERATION

⚠ CAUTION:

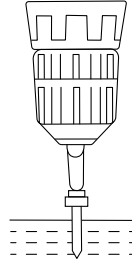
Adjust the adjusting ring to the proper torque level for your work. Place the point of the driver bit in the screw head and apply pressure to the tool. Start the tool slowly and then increase the speed gradually. Release the switch trigger as soon as the clutch cuts in.

⚠ CAUTION:

- Make sure that the driver bit is inserted straight in the screw head, or the screw and/or bit may be damaged.
- There is a tremendous force exerted on the tool/ bit at the time of hole break through. Hold the tool firmly and exert care when the bit begins to break through the work piece.
- A stuck bit can be removed simply by setting the reversing switch to reverse rotation in order to back out. However, the tool may back out abruptly if you do not hold it firmly.
- Always secure small work pieces in a vise or similar hold down device.
- If the tool is operated continuously until the battery cartridge has discharged, allow the tool to rest for 15 minutes before proceeding with a fresh battery.



- همواره برای ثابت کردن قطعه کارهای کوچک از گیره استفاده نمایید.
- در صورت استفاده مداوم از دستگاه و خالی شدن باتری، ابتدا ۱۵ دقیقه از دستگاه استفاده نکنید تا دستگاه خنک شود، سپس باتری جدید را نصب کنید.



خدمات پس از فروش

⚠ توجه!

توجه داشته باشید که هیچ کدام از اجزای داخلی این ابزار احتیاج به تعمیرات اضافه یا دستکاری جهت بهینه نمودن عملکرد ندارند. بنابراین از هرگونه دستکاری یا ارائه به مراکز تعمیرات غیر مجاز اجتناب نمایید و در صورت بروز هرگونه ایراد، سریعاً با نزدیک ترین مرکز سرویس مجاز تماس حاصل نمایید تا از خدمات سریع و دقیق **رونیکس سرویس** استفاده نمایید.

برای اطلاع از عاملیت های مجاز **رونیکس سرویس** با تلفن ۰۲۱-۶۴۹۷ تماس حاصل نمائید.

نحوه ی استفاده از دستگاه

⚠ هشدار:

- هنگام استفاده از دستگاه از اتصال کامل باتری با دستگاه اطمینان حاصل نمایید. در غیر اینصورت ممکن است موجب آسیب به دستگاه، شما و یا اطرافیانان گردد. همچنین هنگام استفاده از دستگاه، آن را با دو دست به خوبی مهار نمایید تا در همه حال قابل کنترل باشد.

■ استفاده از دستگاه جهت سوراخکاری

ابتدا نشانگر ترکمتر را بر روی علامت قرار داده و سپس به صورت ذیل عمل نمایید
- برای سوراخکاری در چوب، بهتر است که ابتدا یک سوراخ راهنما بزنید و سپس به راحتی سوراخکاری در چوب انجام دهید.
- در سوراخکاری فلز، برای جلوگیری از سر خوردن مته بر روی فلز نیز بهتر است که یک سوراخ راهنما بزنید و سپس به راحتی سوراخکاری بر فلز را انجام دهید. همچنین به جز آهن و برنج بهتر است از یک روان کننده برای سوراخکاری بهتر استفاده شود.

⚠ هشدار:

اعمال نیروی مازاد به دستگاه موجب افزایش سرعت عملیات سوراخکاری نمی شود و تنها موجب آسیب دیدن نوک مته، کاهش کارایی دستگاه و کوتاه شدن طول عمر مفید دستگاه خواهد شد.

استفاده از دستگاه جهت بستن پیچ

⚠ هشدار:

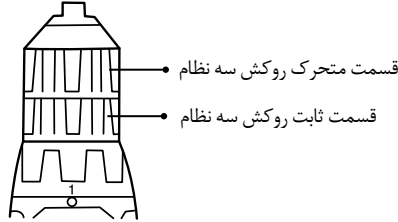
برای استفاده از دستگاه به عنوان پیچ گوشتی، آن را بر روی درجه گشتاور مناسب تنظیم نمایید. سپس نوک سری پیچ گوشتی را بر روی پیچ قرار داده و آن را فشار دهید. سپس دستگاه را با سرعت کم روشن کنید و به آرامی سرعت آن را زیاد کنید و به محض شنیدن صدای کلاچ، کلید را رها کنید.

⚠ هشدار:

- از قرار گرفتن درست سری پیچ گوشتی اطمینان حاصل نمایید، در غیر این صورت موجب آسیب دیدن پیچ یا سری پیچ گوشتی می گردد.
- هنگام سوراخکاری و وارد شدن مته داخل کار نیروی زیادی وارد خواهد شد که در این هنگام باید دستگاه به خوبی نگه داشته شود.
- در صورت گیر کردن مته در قطعه کار کافی است که مته را در خلاف جهت حرکت اولیه به حرکت درآورید.

■ نصب یا تعویض منته یا سری پیچ گوشتی

برای باز کردن سه نظام کافی است که قسمت ثابت روکش سه نظام را نگه داشته و قسمت متحرک روکش سه نظام را در خلاف جهت عقربه های ساعت بچرخانید تا فک های سه نظام باز شود. سپس منته یا سری پیچ گوشتی را داخل سه نظام قرار دهید. سپس قسمت ثابت روکش سه نظام سه نظام را مجدداً نگه داشته و قسمت متحرک آن را در جهت عقربه های ساعت بچرخانید تا سه نظام سفت شود.



⚠ توجه :

برای سوراخکاری در چوب برای اجتناب از سر خوردن منته یا سری پیچ گوشتی بر روی قطعه کار، ابتدا یک سوراخ راهنما مطابق جدول زیر ایجاد نمایید.

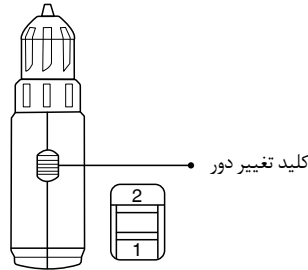
سایز پیشنهادی سوراخ راهنما (میلی متر)	قطر نامی سری پیچ گوشتی (میلی متر)
۲-۲,۲	۳,۱
۲,۲-۲,۵	۳,۵
۲,۵-۲,۸	۳,۸
۲,۹-۳,۲	۴,۵
۳,۱-۳,۴	۴,۸
۳,۳-۳,۶	۵,۱
۳,۷-۳,۹	۵,۵
۴-۴,۲	۵,۸
۴,۲-۴,۴	۶,۱

■ کلید تغییر دور

- برای تغییر دور دستگاه، ابتدا دستگاه را خاموش کرده و دکمه تغییر دور را بر روی دکمه "۲" قرار دهید تا دستگاه در وضعیت سرعت بالا تنظیم شود و با قرار دادن دستگاه در وضعیت "۱" سرعت پائین تنظیم خواهد شد. قبل از شروع به کار با دستگاه از تنظیم دستگاه در محدوده سرعت مناسب با نوع کار اطمینان حاصل نمایید.

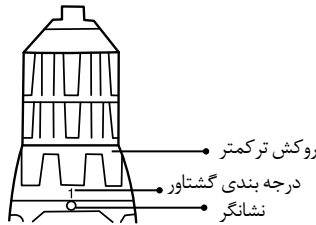
▲ هشدار:

- همواره کلید تغییر دور را بر روی یکی از وضعیت های "۱" و یا "۲" قرار دهید. قرار داشتن کلید بین این دو وضعیت موجب آسیب دیدن دستگاه خواهد شد.
- هرگز هنگام استفاده از دستگاه اقدام به تغییر دور دستگاه ننمایید؛ چرا که منجر به آسیب های جدی به دستگاه خواهد شد.



■ تنظیم گشتاور دستگاه

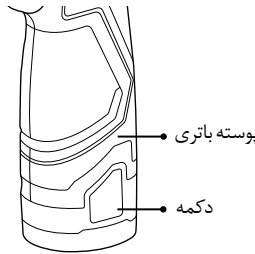
- ترکمتر دستگاه در ۱۸ حالت قابل تنظیم است که با نشانگر بر روی بدنه نشان داده می شود. ترکمتر دستگاه بین حداقل مقدار ۱ یا حداکثر مقدار ۱۸ قابل تنظیم است. قبل از بستن پیچ بر روی قطعه کار اصلی بهتر است که این کار را به طور آزمایشی بر روی یک قطعه دیگر بررسی نمایید تا از گشتاور مناسب با قطعه کار اطمینان حاصل نمایید.



قبل از هرگونه تعمیر یا تعویض دستگاه از خاموش بودن دستگاه و عدم اتصال باتری به آن اطمینان حاصل فرمایید.

■ نصب یا تعویض باتری

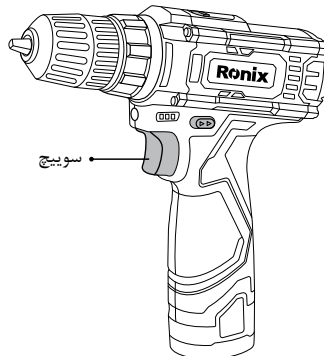
- برای درآوردن باتری کافی است که دکمه قفل کن کنار باتری را فشار داده و باتری را با کشیدن به سمت پایین از دستگاه جدا نمایید.
- برای نصب ، باتری را بر روی شیار پوسته قرار داده آن را به سمت بالا بکشید تا صدای کلیک را بشنوید که نشان دهنده اتصال درست آن می باشد.
- هرگز هنگام نصب باتری اعمال فشار ننمایید. اگر باتری به راحتی روی شیار پوسته حرکت نکند یعنی به درستی بر روی پوسته قرار نگرفته است.

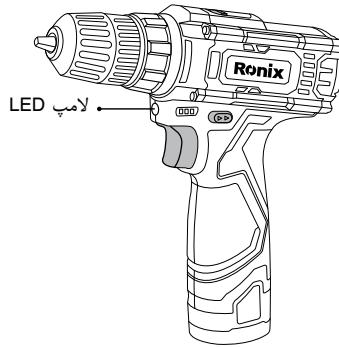


استفاده از کلید

⚠ هشدار:

- قبل از نصب باتری بر روی دستگاه از صحت عملکرد کلید اطمینان حاصل نمایید.
- همواره قبل از شروع به کار با دستگاه، جهت چرخش مته/ سری پیچ گوشتی را بررسی نمایید.
- تنها پس از توقف کامل دستگاه اقدام به تغییر چرخش مته نمایید. تعویض جهت چرخش دستگاه حین کار می تواند موجب خسارات جدی به دستگاه گردد.
- هنگامی که از دستگاه استفاده نمی کنید، کلید چپگرد/ راستگرد را در وضعیت قفل قرار دهید تا از شروع به کار ناگهانی و ناخواسته دستگاه جلوگیری گردد.



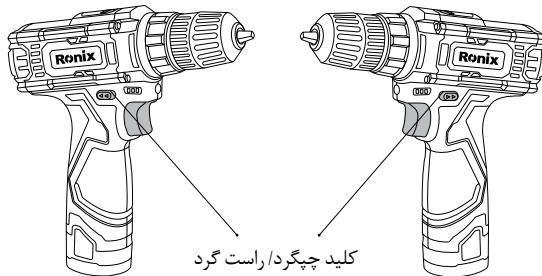


⚠️ توجه :

از دستمال خشک برای تمیز کردن لنز لامپ استفاده نمایید. مراقب باشید در حین تمیزکاری به لنز دستگاه آسیب نرسد زیرا روشنایی آن را تحت تاثیر می گذارد.

■ عملکرد سویچ چپ گرد / راست گرد

این دستگاه دارای دکمه چپگرد/ راستگرد برای تغییر جهت چرخش مته/ سری پیچ گوشتی است. برای چرخش مته/ سری پیچ گوشتی در جهت عقربه های فشرده و برای چرخش مته/ سری پیچ گوشتی در خلاف A ساعت دکمه را از طرف فشار دهید. هنگامی که دکمه چپگرد/B جهت عقربه های ساعت دکمه را از طرف راستگرد در وسط قرار دارد، دستگاه قفل می شود و از شروع به کار ناگهانی دستگاه جلوگیری می گردد.



نحوه استفاده از دستگاه

⚠️ هشدار!

قبل از هرگونه تنظیم و یا تعمیر دستگاه از خاموش بودن دستگاه و عدم اتصال باتری به دستگاه اطمینان حاصل نمایید.

- هرگز سلول های باتری را باز نکنید.
- اگر شارژ دستگاه به سرعت تمام میشود، فوراً کار را متوقف کرده و دستگاه را خاموش کنید. زیرا ممکن است که دستگاه به شدت داغ شده باشد که میتواند منجر به سوختگی و انفجار گردد.
- در صورت تماس مایع داخل باتری با چشمها، فوراً چشم ها را با آب شستشو دهید و به پزشک مراجعه نمایید. تماس مایع باتری با چشم ها ممکن است موجب از بین رفتن بینایی گردد.

موارد زیر ممکن است موجب ایجاد اتصال کوتاه باتری شود

- ۱- هرگز قطب های باتری را در تماس با مواد رسانا قرار ندهید.
- ۲- هرگز باتری را در مجاورت فلزاتی مانند میخ، سکه و ... قرار ندهید.
- ۳- هرگز باتری را در معرض باد و باران قرار ندهید. اتصال کوتاه باتری ممکن است موجب آتش سوزی و یا خراب شدن باتری یا دستگاه گردد.
- هرگز دستگاه و یا باتری را در محیطی با دمای بالای ۵۰ درجه سانتی گراد قرار ندهید.
- هرگز باتری دستگاه را حتی در شرایطی که دیگر قابل استفاده نیست، داخل آتش نیندازید. زیرا ممکن است موجب آتش سوزی گردد.
- مراقب باشید که باتری بر روی زمین نیفتد و یا باز نشود.
- هرگز از باتری معیوب استفاده ننمائید.
- نکاتی برای حداکثر کردن طول عمر باتری
- همواره قبل از اینکه شارژ باتری به طور کامل تخلیه شود، اقدام به شارژ مجدد دستگاه نمایید و هر زمان که احساس کردید قدرت دستگاه کم شده است اقدام به شارژ مجدد آن نمایید.
- هرگز باتری را که شارژ کامل شده است، مجدداً شارژ ننمائید. این کار موجب کاهش طول عمر باتری خواهد شد.
- همواره باتری را در دمای اتاق (بین ۱۰ تا ۴۰ درجه سانتیگراد) شارژ ننمائید. در صورت داغ کردن باتری قبل از شارژ مجدد آن اجازه دهید که خنک شود.

■ نحوه استفاده از لامپ LED

- با فشردن سویچ لامپ LED جلوی دستگاه روشن می شود و تا زمانی که سویچ را نگه دارید لامپ LED روشن می ماند.

⚠ هشدار:

هرگز مستقیماً به لامپ جلوی دستگاه نگاه نکنید.

سهوا با مایع تماس پیدا کردید، فوراً محل مربوطه را با آب بشوئید. همچنین در صورت تماس مایع با چشمهایتان، فوراً چشمها را با آب شسته و به پزشک مراجعه نمائید. مایع داخل باتری ممکن است موجب تورم یا سوختگی گردد

■ تعمیرات و نگهداری

- برای هرگونه تعمیر و تعویض قطعات، تنها به مراکز خدمات پس از فروش **رونیکس سرویس** مراجعه نمائید.
- برای روغن کاری یا تعویض تجهیزات جانبی مطابق دستورالعمل قید شده در دفترچه راهنما این دستگاه عمل نمائید.
- هنگام استفاده از دستگاه، دست ها باید تمیز و خشک و عاری از هرگونه روغن و گریس باشد.

■ دستورالعمل های ایمنی مربوط به دریل کاری/پیچ بستن

- در هنگام سوراخکاری و یا پیچ بستن بر روی سطوحی که احتمال وجود سیم های حامل جریان برق در آنها وجود دارد از عایق های الکتریکی مناسب بر روی دسته دریل استفاده نمائید. هرگونه اتصال قسمت فلزی ابزار با سیم های حامل جریان برق در حین کار باعث برق گرفتگی و صدمات جانی خواهد شد.
- حالت صحیح قرارگیری پاها و حفظ تعادل بدن حین کار از خارج شدن کنترل دستگاه جلوگیری می نماید. همچنین در صورت کار در ارتفاع اطمینان حاصل نمائید که کسی زیر محل کار قرار نگرفته باشد.
- در هنگام سوراخکاری و یا بستن پیچ، دستگاه را با دو دست را محکم بگیرید.
- دستهایتان را از قطعات دوار مانند مته، سه نظام و ... دور نگهدارید.
- هرگز دستگاه را روشن رها نکنید و همچنین زمانی که دستگاه روشن است آن را جابه جا ننمائید.
- هرگز بلافاصله بعد از سوراخکاری مته یا قطعه کار را لمس ننمائید زیرا به شدت داغ هستند و ممکن است موجب سوختگی پوست شوند.
- غبارات ناشی از سوراخکاری و ... بعضی از مواد شیمیایی موجب سرطان، مشکلات تنفسی و زیان های جانی جبران ناپذیر خواهد شد. بنابراین از استنشاق یا تماس پوست با این مواد اجتناب نمائید.
- همواره از لوازم ایمنی مانند دستکش و عینک ایمنی استفاده نمائید. همچنین برای کارهایی که گرد و غبار ایجاد می کنند حتماً از ماسک استفاده نمائید.

■ نکات ایمنی مربوط به باتری دستگاه

- قبل از استفاده از باتری کلیه دستورالعملها و نکات ایمنی مربوط به شارژر، باتری و دستگاه را مطالعه نمائید.

برقی افزایش داده و ممکن است خطرآفرین شود.
- در صورت استفاده از غبار جمع کن از اتصال صحیح و مناسب آن به دستگاه اطمینان حاصل نمائید. استفاده از چنین لوازم جانبی، مضرات مربوط به غبارت را کاهش خواهد داد.

■ استفاده صحیح از دستگاه

- از اعمال بار اضافه به دستگاه جدا خودداری نمائید. انتخاب درست ابزار برقی مناسب کارتان، باعث کاهش هزینه و زمان و حسن انجام کار برای شما خواهد شد. بنابراین همیشه برای انجام عملکرد مورد نظرتان از ابزار برقی مخصوص به آن کار استفاده نمائید.
- در صورت معیوب بودن کلید دستگاه، هرگز از آن استفاده نکنید و به نزدیک ترین مراکز خدمات پس از فروش رونیکس سرویس برای تعمیر آن مراجعه نمائید. هر دستگاهی که با کلید قابل کنترل نباشد، خطرآفرین است و باید تعمیر شود.
- قبل از هرگونه تنظیم یا تعویض لوازم جانبی دستگاه، همچنین زمانی که از دستگاه استفاده نمی کنید دو شاخه را از منبع برق جدا نمائید. این کار از شروع به کار ناگهانی دستگاه جلوگیری خواهد کرد.
- ابزارآلات برقی را از دسترس کودکان و افراد غیرمتخصص دور نگهدارید. ابزارآلات برقی در دسترس افراد آموزش ندیده، خطرآفرین خواهند بود.
- از ابزارآلات برقی به خوبی نگهداری نمائید. هرگونه تنظیمات، گیرکردن قطعات دوار و یا هر وضعیت دیگری که ممکن است بر روی عملکرد دستگاه تاثیر بگذارد را بررسی نمائید و در صورت آسیب دیدگی قبل از استفاده، آن مورد را رفع نمائید. بیشتر حوادث از عدم نگهداری صحیح ابزارآلات برقی رخ می دهد.
- ابزارآلات سوراخکاری را تیز و تمیز نگهدارید. نگهداری مناسب از ابزارآلات برقی موجب کنترل آسان تر دستگاه می گردد و کمتر در قطعه کار گیر خواهد کرد.
- همواره از ابزار و لوازم جانبی مناسب این دستگاه استفاده نمائید. همچنین از این دستگاه تنها برای کارهایی که برای آن تهیه و طراحی شده است، استفاده نمائید.

■ استفاده از باتری

- تنها از شارژرهای مخصوص این دستگاه استفاده نمائید. شارژر مناسب یک دستگاه ممکن است برای دستگا ههای دیگر خطرآفرین باشد.
- تنها از باتریهای مخصوص این دستگاه استفاده نمائید. استفاده از باتری دستگا ههای دیگر ممکن است منجر به آسیب دیدن دستگاه و باتری گردد.
- هرگز باتری را در مجاورت فلزاتی مانند سکه، کلید، میخ و... قرار ندهید که منجر به ایجاد اتصال کوتاه و آتش سوزی خواهد شد.
- در صورت خراب شدن باتری و تراوش مایع داخل آن، هرگز این مایع را لمس نکنید و در صورتیکه

است باعث از دست دادن تمرکز و کنترل دستگاه شود.

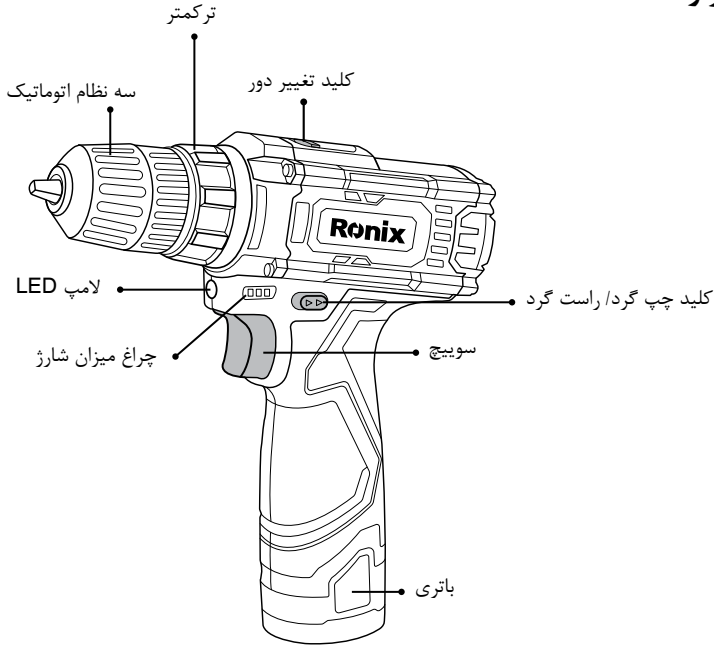
■ ایمنی برقی

- دو شاخه دستگاه باید متناسب با پریز باشد. با این کار احتمال برق گرفتگی به شدت کاهش خواهد یافت.
- در هنگام استفاده از دستگاه به محل عبور لوله، کابل برق مربوط به رادیاتور، گرمخانه و یا یخچال و... توجه نمائید.
- ابزارآلات برقی را در معرض باران و یا رطوبت قرار ندهید. ورود آب به ابزارآلات برقی ممکن است موجب برق گرفتگی شود.
- هرگز از کابل دستگاه برای حمل آن استفاده ننمائید و یا برای قطع اتصال دستگاه از پریز، کابل را نکشید. همچنین کابل را از معرض حرارت، سطوح نوک تیز، قطعات دوار و روغن دور نگهدارید.
- کابل های آسیب دیده مستعد بروز برق گرفتگی هستند.
- هنگام استفاده از دستگاه در محیط های باز، از سیم رابط مناسب استفاده نمائید تا احتمال برق گرفتگی کاهش یابد.
- هنگام استفاده از دستگاه در محیط های مرطوب حتما از کلید حفاظت جان (RCD) برای اتصال دستگاه به منبع تغذیه برق شهری استفاده نمائید. کلید حفاظت جان، مانند دستکش و کفش ایمنی به افزایش ایمنی فردی کمک می کند.

■ ایمنی فردی

- زمانی که خسته اید یا تحت تاثیر دارو قرار دارید و در مجموع زمانی که در سلامتی کامل به سر نمی برید، هرگز از ابزارآلات برقی استفاده ننمائید. چرا که لحظه ای درنگ و بی دقتی منجر به صدمات جبران ناپذیری خواهد شد.
- همواره از لوازم ایمنی مانند عینک ایمنی، ماسک هوا، کفش و کلاه ایمنی و محافظ گوش استفاده نمائید تا صدمات فردی کاهش یابد.
- برای اجتناب از شروع به کار ناگهانی دستگاه، قبل از اتصال آن به منبع برق از قرار داشتن کلید در وضعیت خاموش اطمینان حاصل نمائید. همچنین زمانی که آن را جا به جامی کنید، دو شاخه را از پریز جدا کرده و انگشتتان را بر روی کلید قرار ندهید.
- قبل از روشن کردن دستگاه از عدم اتصال هرگونه ابزار تنظیم مانند آچار به قطعات دوار اطمینان حاصل نمائید چرا که می تواند منجر به صدمات جبران ناپذیری گردد.
- حالت صحیح قرارگیری پاها و حفظ تعادل بدن حین کار از خارج شدن کنترل دستگاه جلوگیری می نماید.
- همواره در حین کار از لباس کار مناسب استفاده نمائید. استفاده از لباس های غیر استاندارد و گشاد، جواهرات و داشتن موهای بلند امکان درگیر شدن آنها را با قسمت های متحرک ابزارآلات

اجزا و قطعات



دستورالعمل های کلی ابزارآلات برقی

⚠ هشدار!

- لطفاً کلیه مواردی که در ذیل قید شده است را با دقت مطالعه فرمائید و به کار برید، عدم پیروی از دستورالعمل های ذیل ممکن است منجر به ایجاد صدمات جبران ناپذیر فیزیکی یا ایجاد اختلال در کارکرد ابزارآلات برقی شوند.
- این دفترچه راهنما را بعد از مطالعه نگهداری نمائید.
- منظور از کلمه " ابزار برقی" در هشدارهای زیر کلیه ابزارهای برقی متصل به کابل یا ابزارهای شارژی دارای باتری می باشد.

■ ایمنی محل کار

- محل کار را تمیز و روشن نگهدارید. محیط های در هم ریخته و تاریک حادثه آفرین خواهند بود.
- هرگز از ابزارآلات برقی در مجاورت مواد اشتعال زا استفاده ننمائید. ابزار آلات برقی جرقه ایجاد می کنند که ممکن است موجب آتش سوزی گردد.
- ابزارآلات برقی را هنگام استفاده از دسترس کودکان و افراد غیرمتخصص دور نگهدارید. زیرا ممکن

مشخصات فنی

مدل	۸۶۱۳i
تکنولوژی باتری	لیتیوم یون
نوع سه نظام	اتوماتیک
ظرفیت سه نظام	۱۰ میلی متر
ولتاژ باتری	۱۲ ولت
ظرفیت باتری	۱٫۵ آمپرساعت
سرعت در حالت آزاد	صفر تا ۴۰۰ دور در دقیقه صفر تا ۱۵۰۰ دور در دقیقه
حداکثر گشتاور	۲۶ نیوتن متر
ظرفیت سوراخکاری در چوب	۲۰ میلی متر
ظرفیت سوراخکاری در فلز	۱۰ میلی متر
وزن	۱ کیلوگرم
نوع بسته بندی	کیف BMC مقاوم در برابر ضربه
متعلقات	یک جفت باتری ۱۲ ولت با ظرفیت ۱٫۵ آمپرساعت و یک فست شارژر

رونیکس®

آخرین ابزاری که می‌خرید!

دریل پیچ گوشتی شارژی ۱۲ ولت

8613i



www.ronix.ir