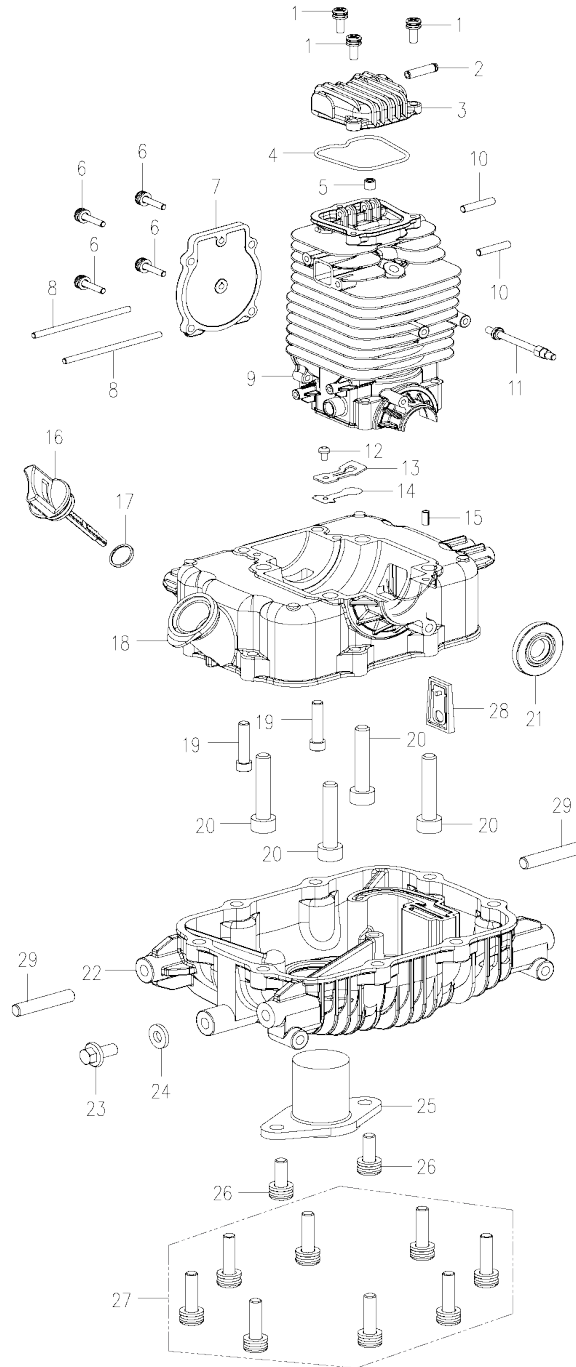
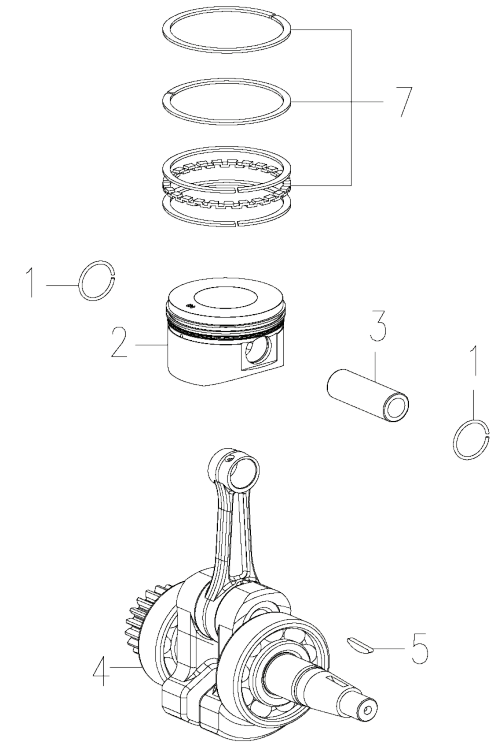


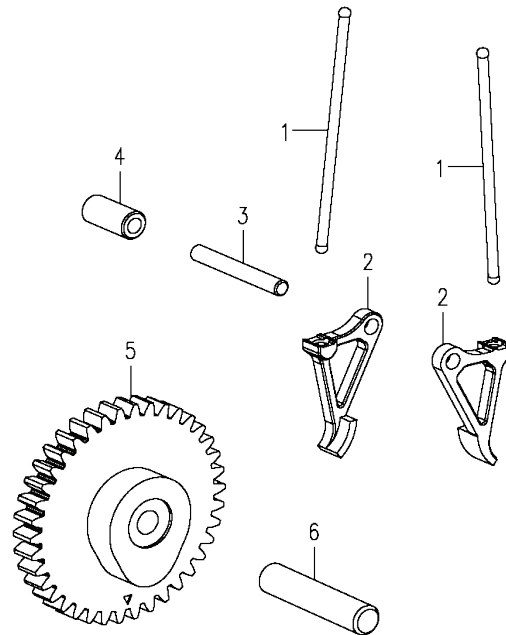
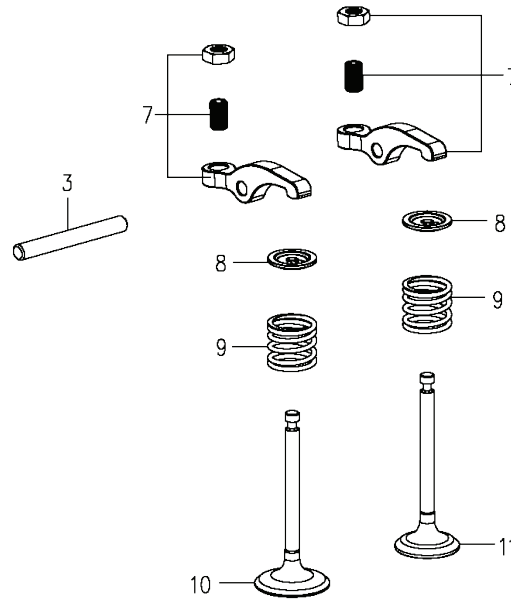
Number	Name
1	Screw M6x18
2	Ventilation Nozzle
3	Cylinder Head Cover
4	Cylinder Head Cover Seal
5	Valve Oil Seal
6	Screw M5x20
7	Cam Chamber Cover
8	Dual-Head Bolts M5x100
9	Upper Crankcase
10	Dual-Head Bolts M6x32
11	Dual-Head Bolts M5x76
12	Countersunk Head Screw M3x5
13	Limiting Board
14	Valve Plate
15	Dowel Pin 4x8
16	Oil Gauge
17	O ring 19*3.55
18	Lower Crankcase
19	Inner Hexagon ScrewGB/T70.1 M6x25
20	Inner Hexagon ScrewGB/T70.1 M8x55
21	Oil Seal 21x32x5
22	Oil Pan
23	Hexagon Flange Bolt M6x12
24	Aluminium Gasket 6x13x2
25	Oil Lever Sensor
26	Screw M6x18
27	Dual-Head Bolts M6x36
28	One-Way Valve Components
29	stud M6*36



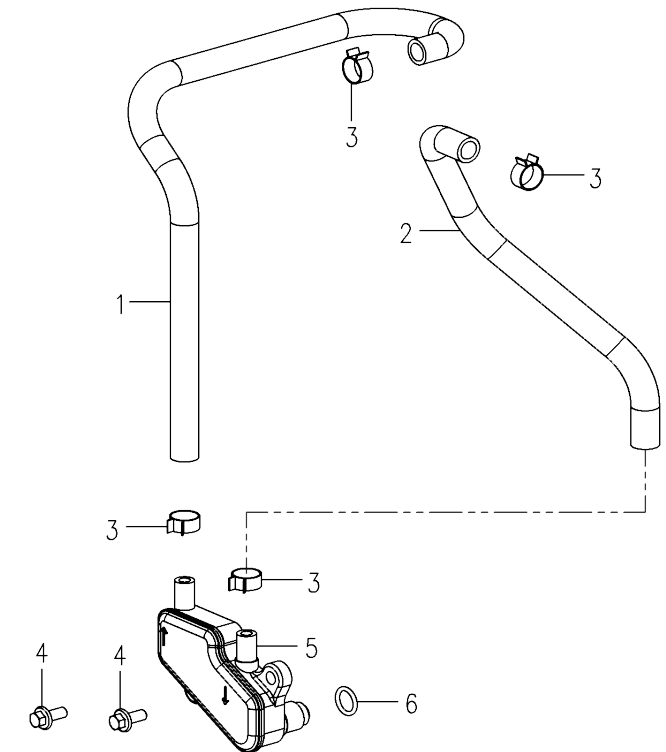
POWER TOOLS



Number	Name
1	Piston Pin Clip
2	Piston
3	Piston Pin
4	Connecting Rod
5	Woodruff Key
6	Piston Ring

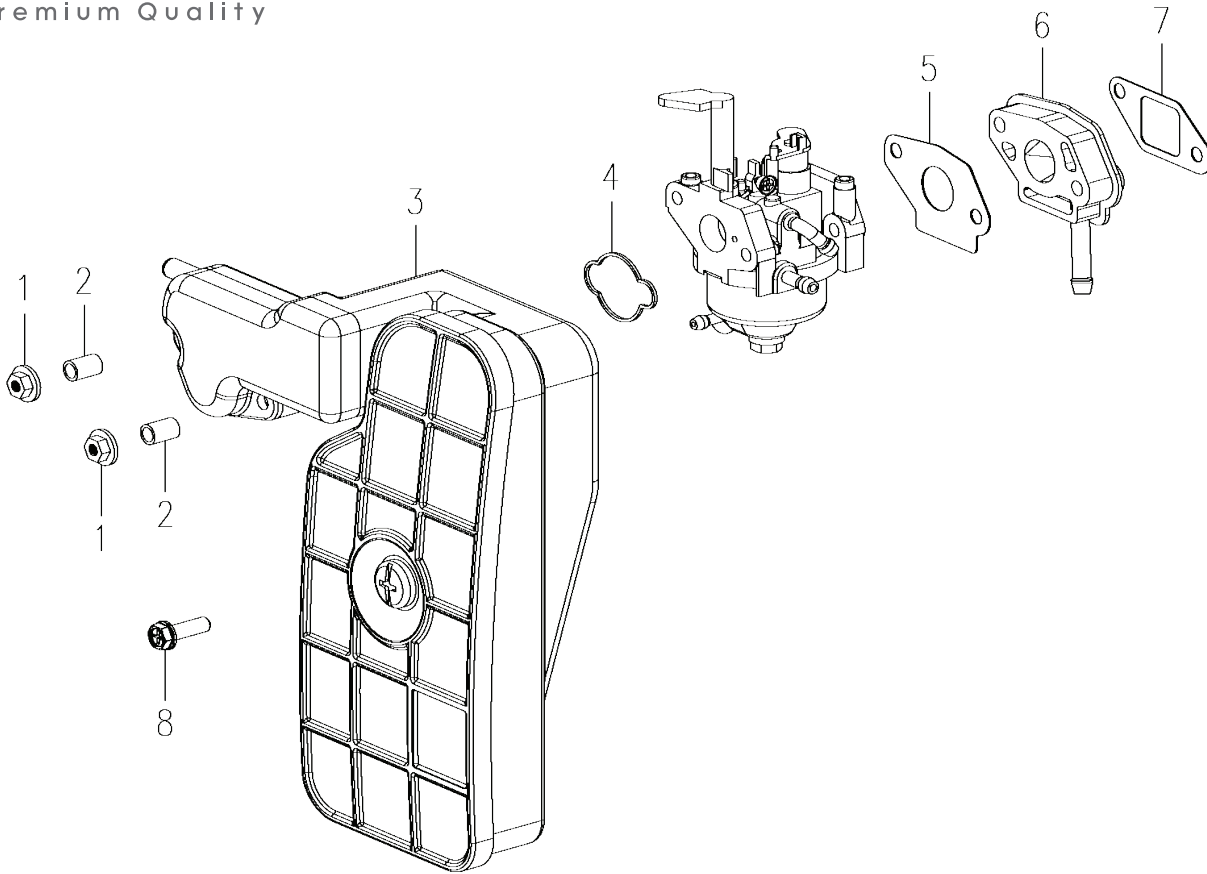


POWER TOOLS



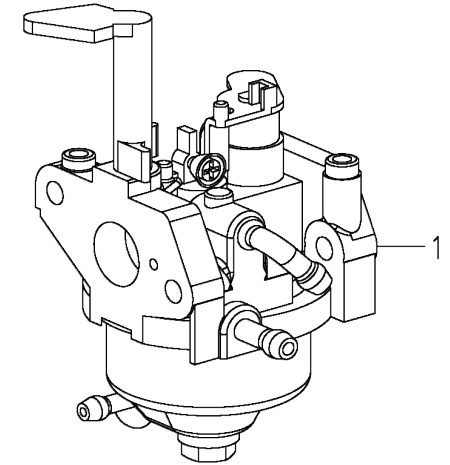
Number	Name
1	Tappet
2	Lower Rocker
3	Pin 7 g6×39
4	Rocker Bush
5	cam combination
	Decompression of the pin
	Torsional spring
	Cover for cam
6	Camshaft
7	Upper Rocker
8	Valve Spring Seat
9	Valve Spring
10	Intake Valve
11	Exhaust Valve

Number	Name
1	Respiratory Tube
2	Outlet Tube
3	Pipe Hoop 9
4	Hexagon Flange Bolt M5×16
5	Deaerator
6	O Ring

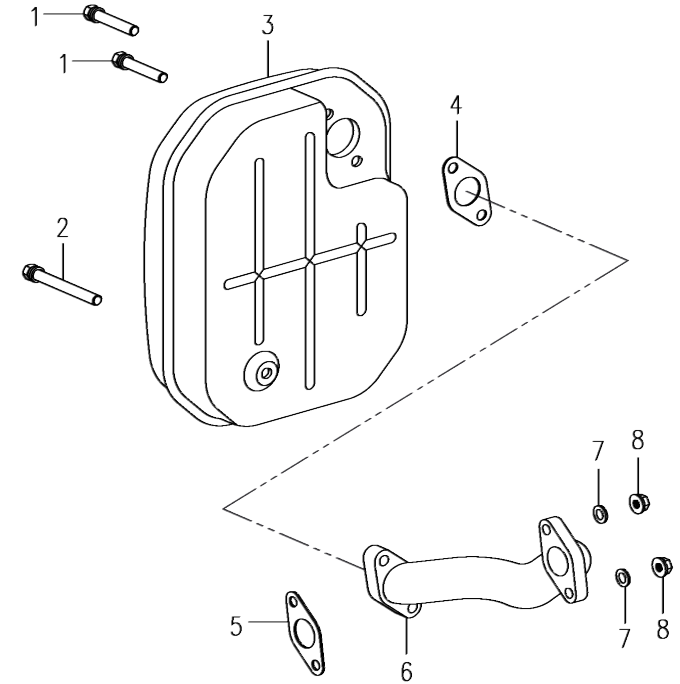
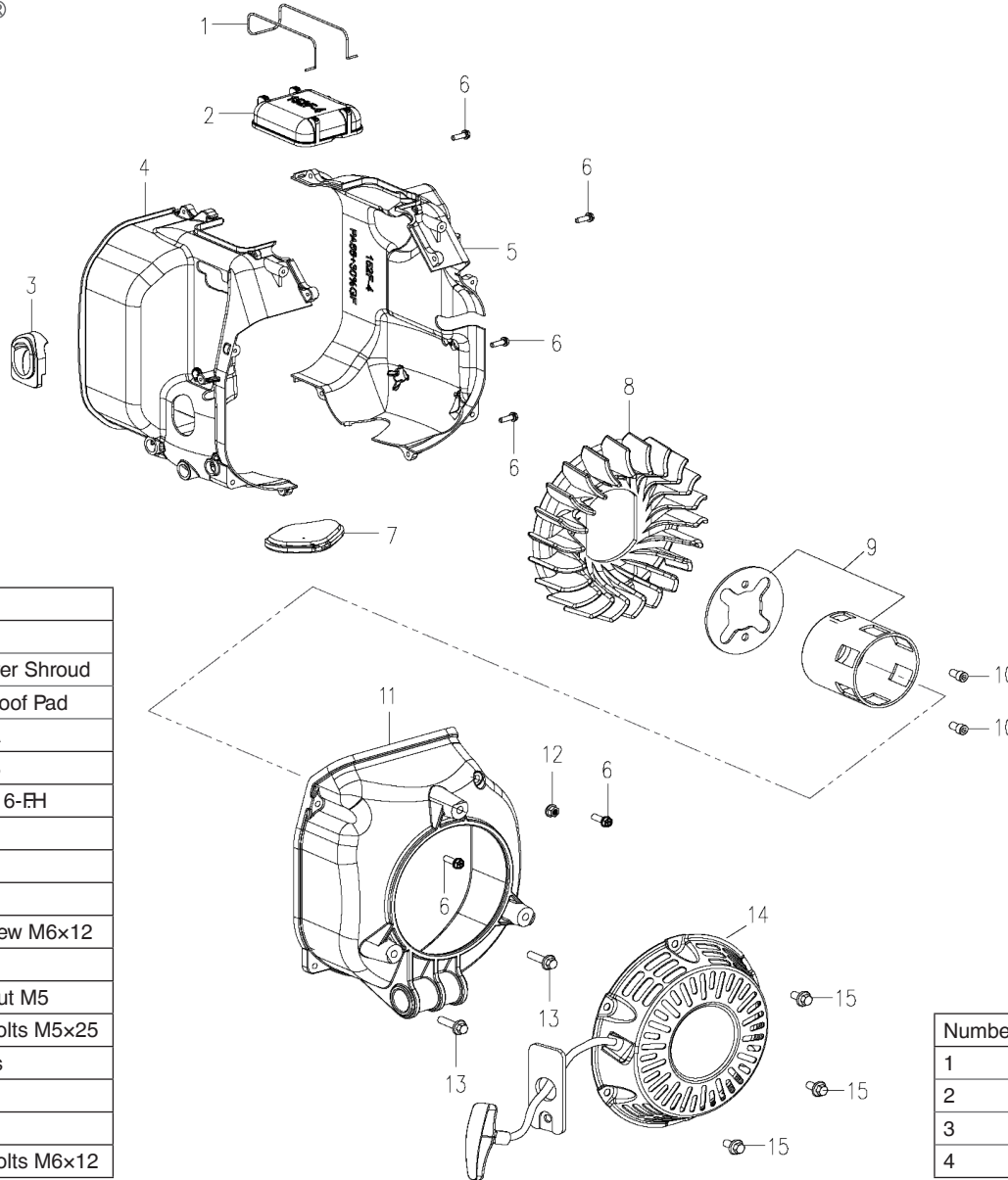


Number	Name	Number	Name	Number	Name
1	Hexagon Flange Bolts M5		Foam/sponge	6	Insulation Board Components
2	Air Cleaner Bush		Inner Hexagon Screw M6×12	7	Insulation Gasket
3	Air Cleaner Assy. Cover of Air Cleaner Assy.	4	Air Cleaner Gasket	8	Tap Screw ST4.8×16-FH
		5	Carburetor Gasket		

POWER TOOLS

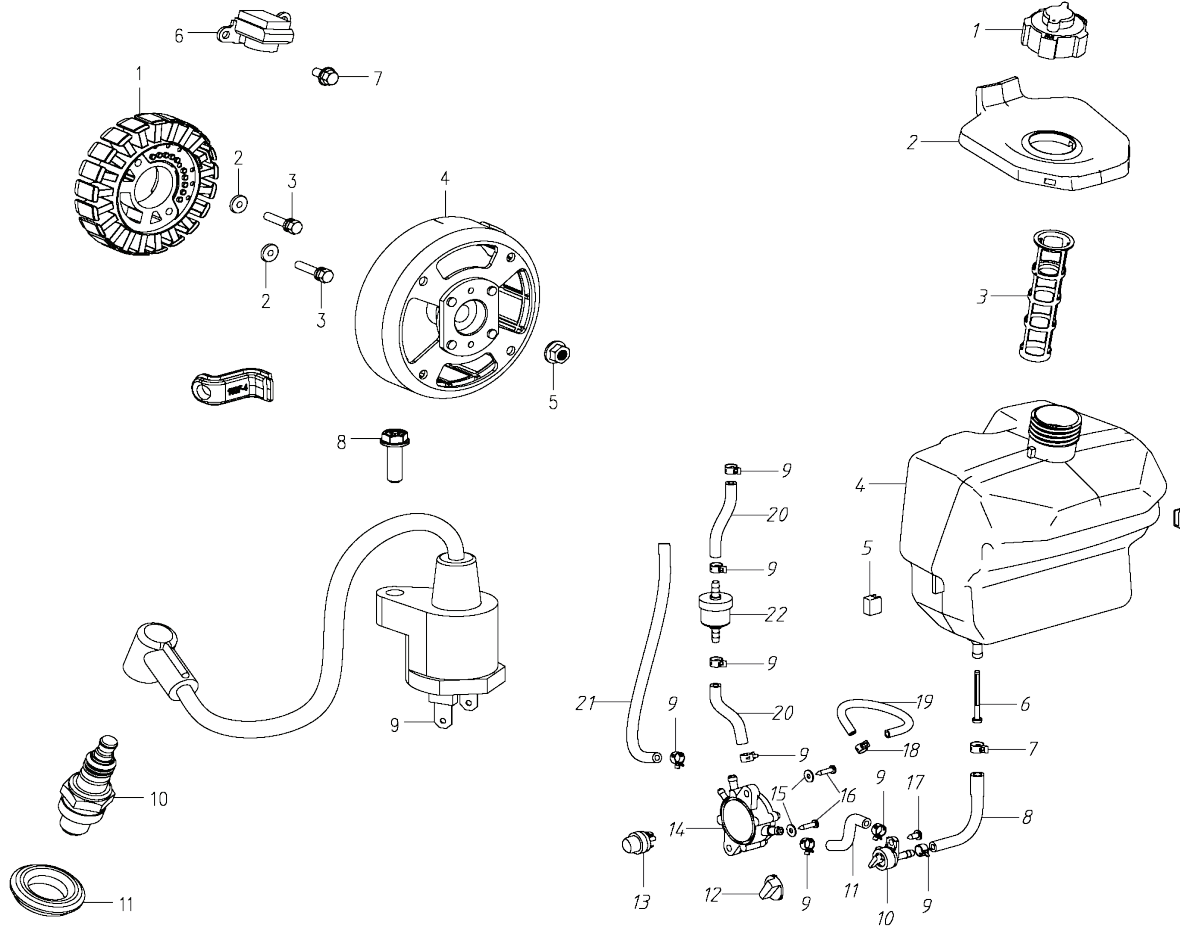


Number	Name
1	Carburetor Assy.



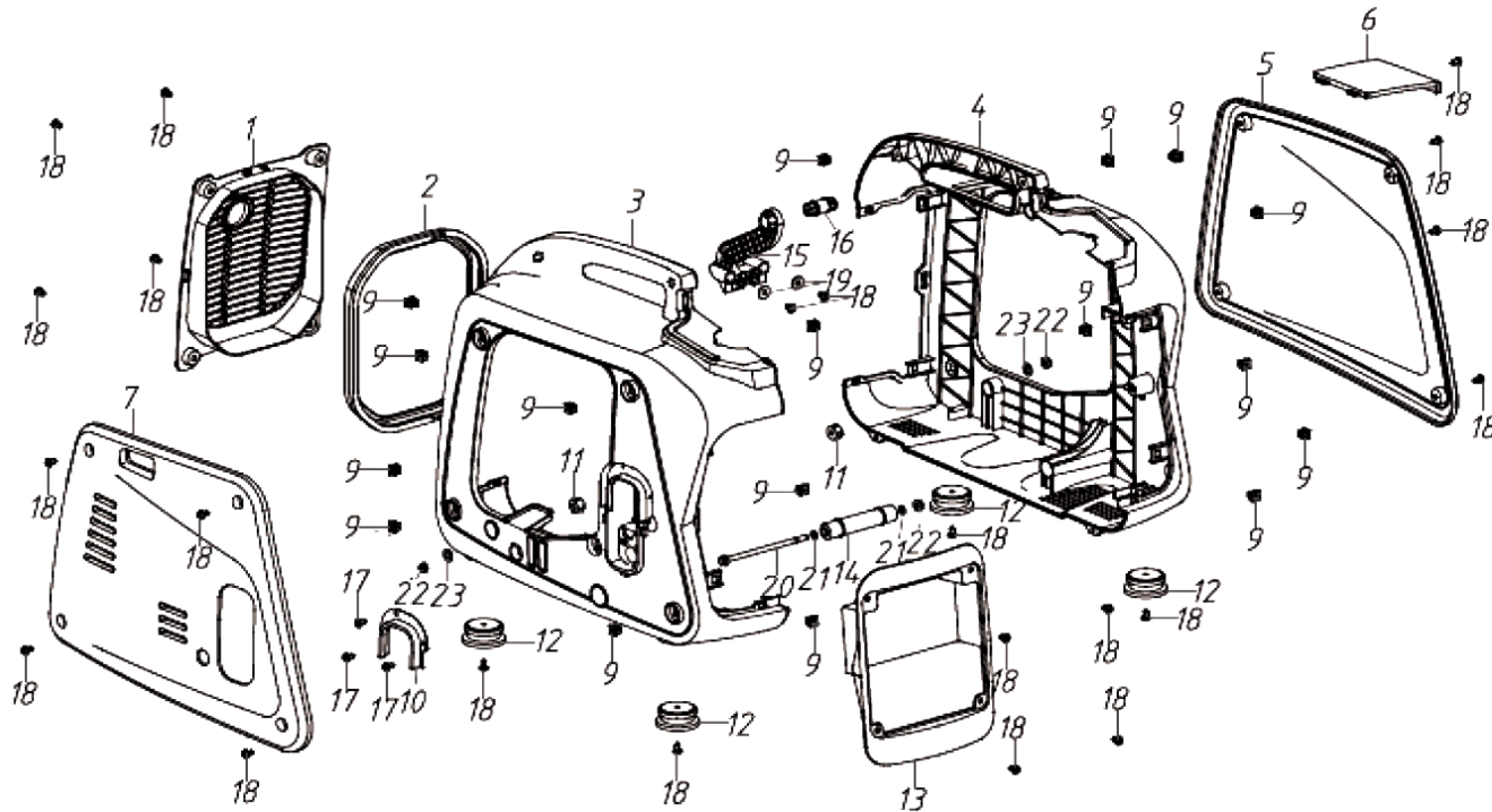
Number	Name
1	Wire Clip
2	Cylinder Head Cover Shroud
3	Oil Filler Hole Airproof Pad
4	Air Guide Sleeve A
5	Air Guide Sleeve B
6	Tap Screw ST4.8×16-FH
7	Rubber Cover
8	Cooling Fan
9	Starting Hub
10	Inner Hexagon Screw M6×12
11	Fan Volute
12	Hexagon Flange Nut M5
13	Hexagon Flange Bolts M5×25
14	Recoil Starter Parts
	Handle
	Fender
15	Hexagon Flange Bolts M6×12

Number	Name	Number	Name
1	Bolt M6×50	5	Muffler Pipe Gasket
2	Bolt M6×80	6	Muffler Pipe
3	Muffler Assy.	7	Washer 6
4	Muffler Gasket	8	Hexagon Flange Nut M6

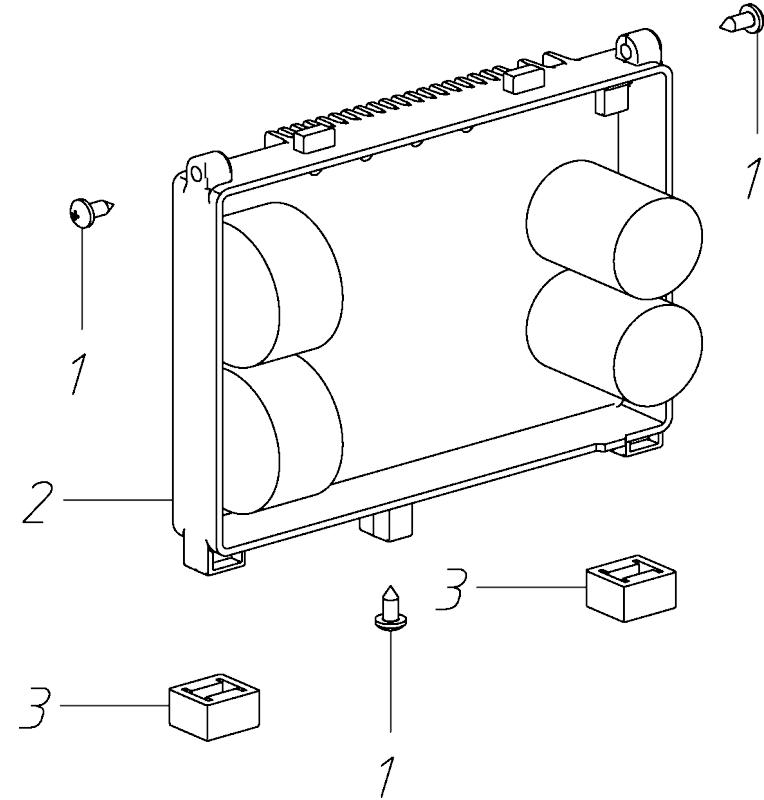
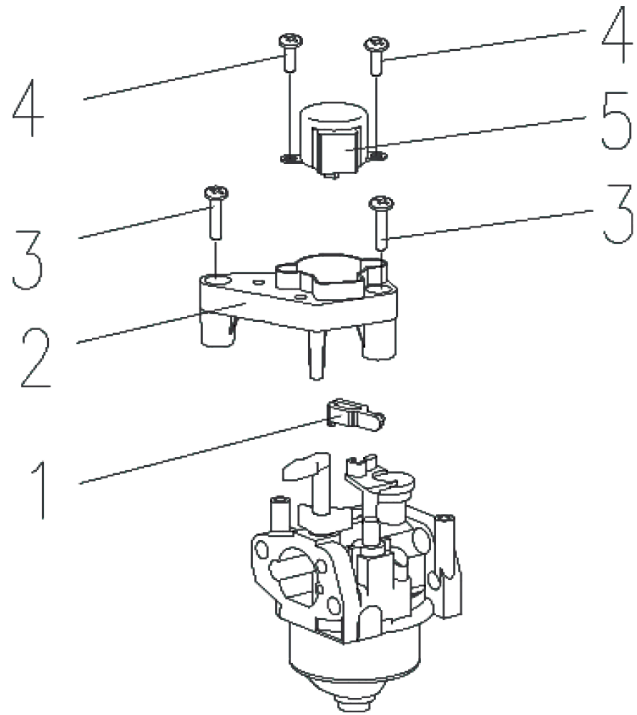


Number	Name
1	Stator 1.7KW 420V 580Hz
	Bushing
2	Washer 5
3	Hexagon Flange Bolts M5x30
4	Rotor
5	Hexagon Flange Nut M12x1.25
6	Trigger
7	Hexagon Flange Bolts M5x12
8	Tap Screw ST4.8x25-FH
9	Ignition Coil
10	Spark Plug A5RTC
11	Ignition Coil Cap Seal

Number	Name
1	Fuel Tank Cap Assy.
2	Fuel Tank Port Rubber
3	Fuel Tank Filter
4	Fuel Tank
5	Fuel Tank Side Pad
6	Fuel Outlet Filter
7	Clamp Ø11
8	Single-head Expansion Fuel Hose
9	Clamp Ø9
10	Fuel Cock
11	Fuel Hose (5-10) -90
12	Fuel Cock Knob
13	Fuel Lubricator
14	Fuel Pump
15	GasketGB/T96 φ4
16	Tap Screw GB/T845 ST4.0x19
17	Tap Screw GB/T845 ST4.8x13
18	Clamp Ø8
19	Fuel Hose (4-8) -160
20	Fuel Hose (5-10) -80
21	Fuel Hose (5-10) -230
22	Fuel Filter

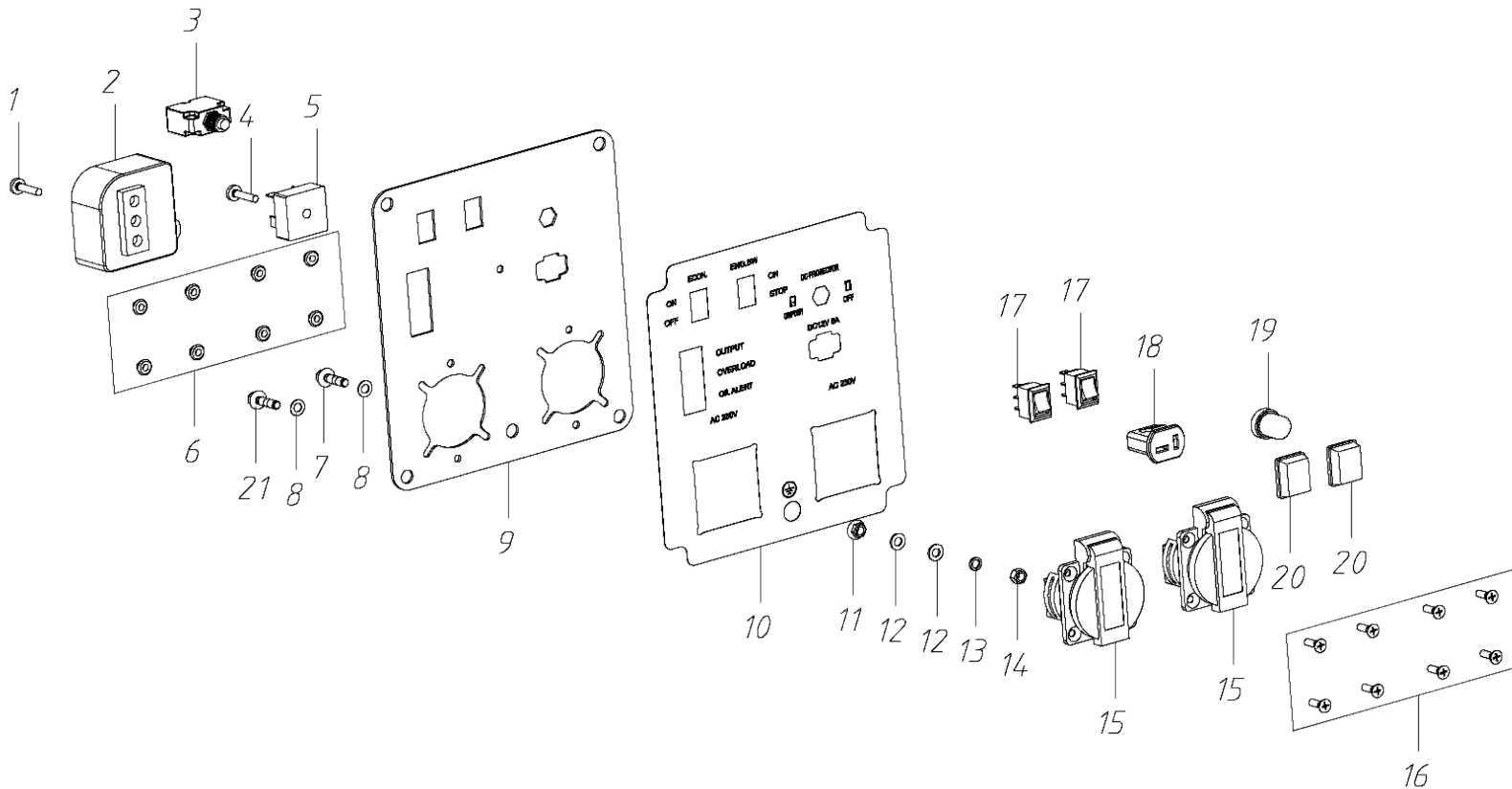


Number	Name
1	Muffler Cover
2	Muffler Cover Seal
3	Right Cover of Shell
4	Left Cover of Shell
5	Left Side Cover
6	Upper Cover
7	Right Side Cover
8	Rubber of Choke
9	Fastener
10	Edge Protection
11	Rubber Pad $\Phi 6 \times \Phi 16 \times 10$
12	Vibration Absorber
13	Panel Box
14	Rubber Shock Absorber long
15	Engine Holder
16	Rubber Shock Absorber short
17	Tap Screw GB/T845 ST4.8x9.5-F
18	Tap Screw GB/T845 ST4.8x13-F
19	Gasket GB/T96 $\varphi 5$
20	Hexagon Flange Bolt M6x120
21	Gasket GB/T96 $\varphi 6$
22	Flange Lock Nut GB/T6187 M6
23	Rubber Pad $\Phi 6.5 \times \Phi 16 \times 2$



Number	Name	Number	Name
1	Drive Arm	4	Screw M3x8
2	Stepper Motor Holder	5	Stepper Motor Assy.
3	Screw M4x12	6	Drive Arm Spring

Number	Name
1	Screw GB/T9074.4 M5x12
2	Inverter 1.7kw 230V 50HZ
3	Inverter Gasket



Number	Name
1	Cross Pan Head Screw M5x16
2	Ignition Controller
3	Overload Protector 6A
4	Cross Pan Head Screw M5x16
5	Rectifier KBPC3502
6	Hexagon Flange Nut M4
7	Flange Bolt GB/16674 M5x16
8	Lock Gasket GB862.2 φ5
9	Panel Components
10	Panel Sticker
11	Hexagon Flange Nut M5
12	Flat Washer GB/T97 φ5
13	Spring Washer GB/T93 φ5
14	Hexagon Nut GB/T6170 M5
15	European Socket
16	Tapped Screw GB/T819 M4x12
17	Boat Switch
18	DC Charging Socket
19	Water-Proof Cap of Overload Protector
20	Water-Proof Cap of Boat Switch
21	Screw M5x8